

# SECURE SECONDARY RETENTION

## CATALOGUE

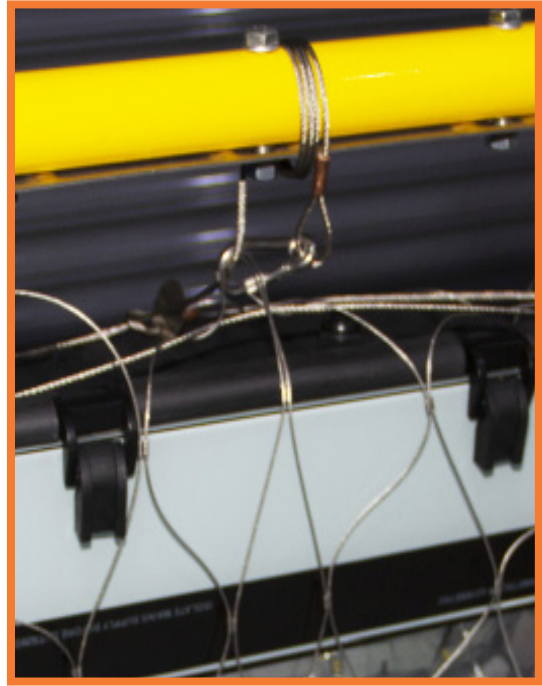


**DESIGNED WITH A 5:1 SAFETY FACTOR  
TESTED AND CERTIFIED BY SGS**

Reproduced courtesy of Valaris

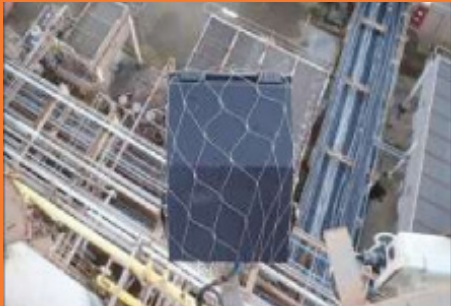
**SAFELY SECURE  
OVERHEAD FIXTURES**

[www.securesrs.co.uk](http://www.securesrs.co.uk)  
[sales@securesrs.co.uk](mailto:sales@securesrs.co.uk)



## WHAT WE DO

### PREVENT DROPPED OBJECTS



We are the first line of defence to prevent fixtures and fittings falling from previously static positions.

### ENSURE SAFETY



Using our products will ensure the safety of personnel and the safety of your equipment.

### GLOBAL SUPPLY



Our product range can be used in many industries including, windfarms, Oil & Gas, and construction.

## FIXTURE NET POUCHES

The pouches are manufactured to strict safety regulations and can be manufactured to meet any size and SWL requirement.

Any area that has fixtures above personnel working areas should consider secondary retention.

The easy fit pouches do not require the original item to be removed, manufactured from 100% Stainless Steel and have a five times safety factor.



# CONTENTS

FLOODLIGHT 1

FLORESCENT / LED STRIPLIGHT 2

SPEAKER / HORN / STROBE 3

CAMERA 4

TOOL EQUIPMENT POUCH 5

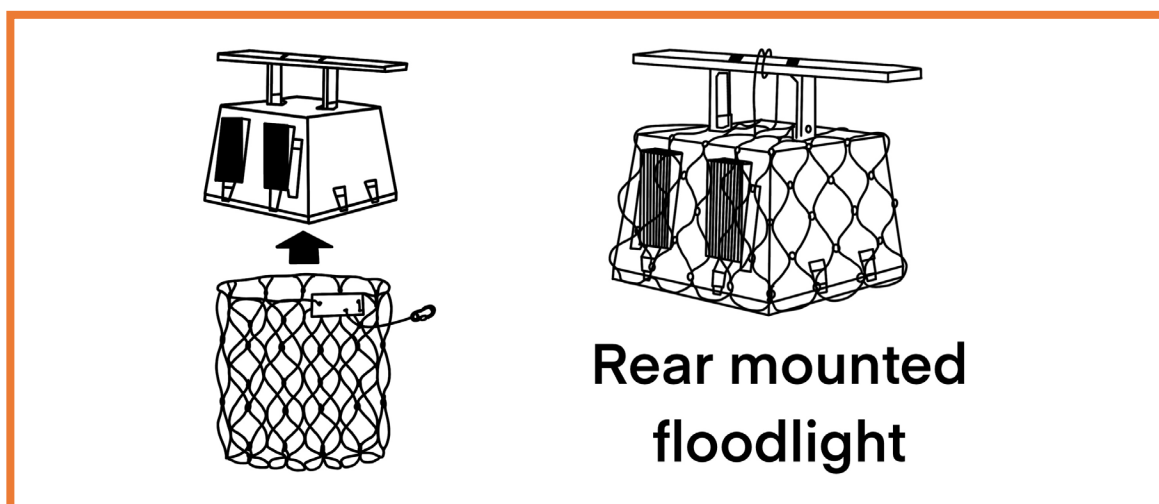
WIRES 6

ACCESSORIES 7

INDEX 8



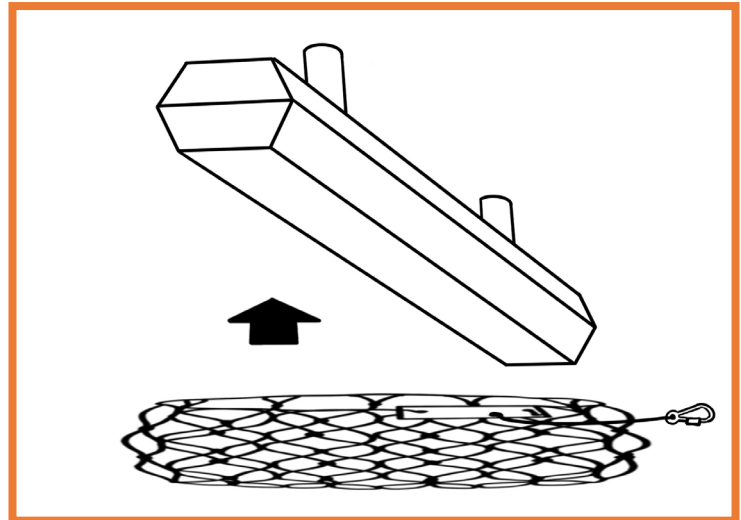
# FLOODLIGHTS



PART NUMBER	DESCRIPTION	DIMENSIONS (MM)
SRS701	Suitable for rear mounted fixture or ceiling mounted products. Plus individual ID plate with 6 x 60 SS screwgates. SWL 25 KG	610 x 330 x 330
SRS702	Suitable for rear mounted fixture or ceiling mounted products. Plus individual ID plate with 8 x 60 SS screwgates. SWL 30 KG	460 x 460 x 265
SRS703	Suitable for rear mounted light fittings. Plus individual ID plate with 6 x 60 SS screwgates. SWL 20 KG	560 x 215 diameter
SRS704	Suitable for side mounted fixture or ceiling mounted products. Plus individual ID plate with 6 x 60 SS screwgates. SWL 20 KG	410 x 410 x 200
SRS705	Suitable for side mounted floodlights. Plus individual ID plate with 6 x 60 SS screwgates. SWL 25 KG	535 x 430 x 175
SRS706	Suitable for side mounted floodlights. Plus individual ID plate with 6 x 60 SS screwgates. SWL 35 KG	600 x 600 x 340
SRS707	Suitable for securing rear mounted light fittings. Plus individual ID plate with 6 x 60 SS screwgates. SWL 20 KG	410 x 90 diameter
SRS708	Suitable for side mounted floodlights. Plus individual ID plate with 6 x 60 SS screwgates. SWL 35 KG	400 x 650 x 250
SRS709	Suitable for side mounted floodlights with backup battery. Plus individual ID plate with 6 x 60 SS screwgates. SWL 35 KG	350 x 300 x 250
SRS710	Suitable for side mounted down lights. Plus individual ID plate with 6 x 60 SS screwgates. SWL 35 KG	400 x 400 x 400
SRS711	Suitable for side mounted down lights. Plus individual ID plate with 6 x 60 SS screwgates. SWL 20 KG	300 x 300 x 300
SRS712	Suitable for side mounted flood lights. Plus individual ID plate with 6 x 60 SS screwgates. SWL 48 KG	700 x 700 x 310
SRS714	Suitable for emergency heavy flood lights. Plus individual ID plate with 6 x 60 SS screwgates. SWL 30 KG	570 x 440 x 400
SRS715	Suitable for side mounted down lights. Plus individual ID plate with 6 x 60 SS screwgates. SWL 35 KG	450 x 450 x 450
SRS716	Suitable for side mounted down lights. Plus individual ID plate with 6 x 60 SS screwgates. SWL 35 KG	500 x 500 x 500
SRS717	Suitable for side mounted flood lights with backup battery. Plus individual ID plate with 6 x 60 SS screwgates. SWL 35 KG	350 x 300 x 250
SRS718	Suitable for side mounted down lights. Plus individual ID plate with 6 x 60 SS screwgates. SWL 35 KG	500 x 500 x 500

# FLORESCENT / LED STRIPLIGHTS

Stainless Steel 316 safety retaining nets (round profile) suitable for light units with rear mounting. Must be tightened securely.



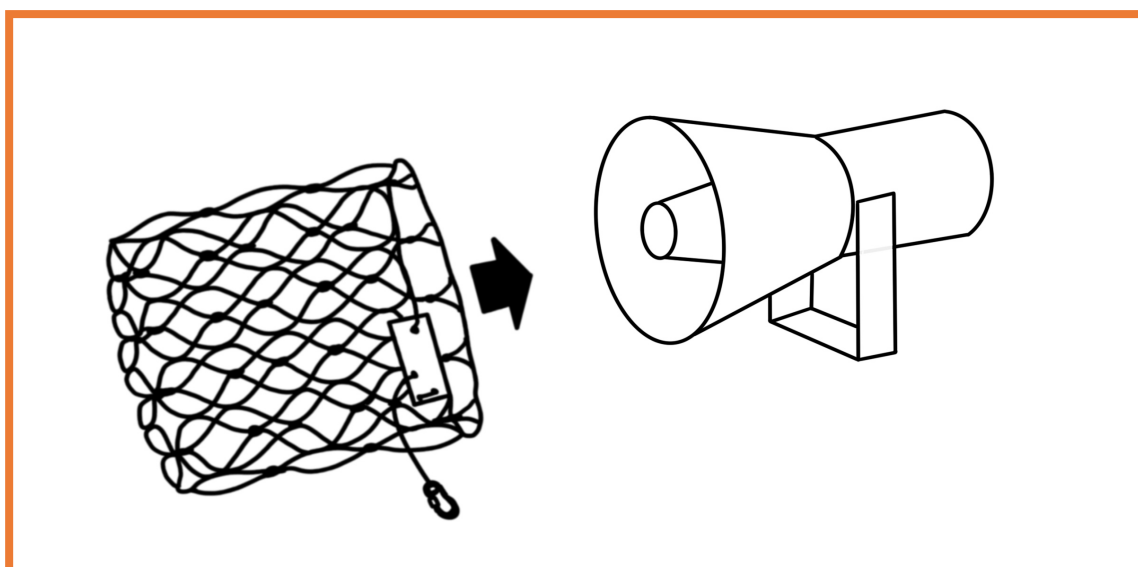
PART NUMBER	DESCRIPTION	DIMENSIONS (MM)
SRS601	Suitable for rear mounted light units. Plus individual ID plate with 6 x 60 SS screwgates. SWL 15 KG	485 x 360
SRS602	Suitable for rear mounted fluorescent lights. Plus individual ID plate with 8 x 60 SS screwgates. SWL 20 KG	1385 x 165
SRS603	Suitable for rear mounted fluorescent lights. Plus individual ID plate with 6 x 60 SS screwgates. SWL 20 KG	740 x 120
SRS604	Suitable for rear mounted fluorescent lights. Plus individual ID plate with 6 x 60 SS screwgates. SWL 30 KG	1350 x 300
SRS605	Suitable for rear mounted fluorescent lights. Plus individual ID plate with 6 x 60 SS screwgates. SWL 32 KG	1500 x 225
SRS606	Suitable for rear mounted fluorescent lights. Plus individual ID plate with 6 x 60 SS screwgates. SWL 15 KG	900 x 200
SRS607	Suitable for large navigation lights. Plus individual ID plate with 6 x 60 SS screwgates. SWL 27 KG	700 x 00



Stainless Steel 316 safety retaining nets suitable for floodlights with different mountings. Must be tightened securely.



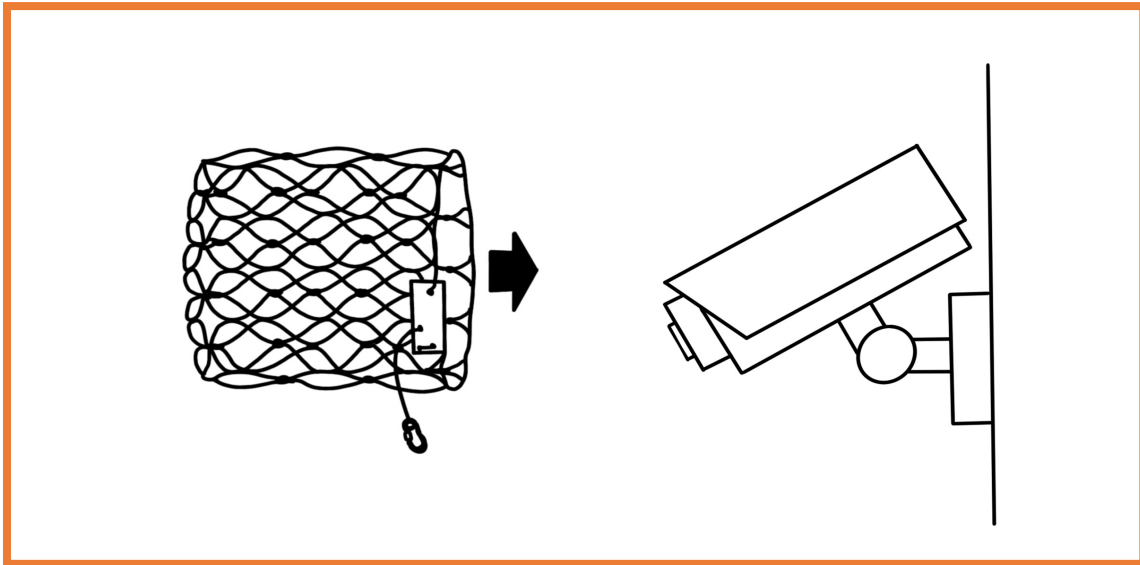
# SPEAKER / HORN / STROBE



Stainless Steel 316 safety retaining nets suitable for audio / visual and sensory units with different mountings. Must be tightened securely.

PART NUMBER	DESCRIPTION	DIMENSIONS (MM)
SRS501	Suitable for side mounted sirens. Plus individual ID plate with 6 x 60 SS screwgates. SWL 6 KG	215 x 140 x 140
SRS502	Suitable for rear mounted audio units & strobes. Round profile. Plus individual ID plate with 6 x 60 SS screwgates. SWL 4 KG	220 x 140 diameter
SRS503	Suitable for securing rear mounted audio units & strobes. Plus individual ID plate with 6 x 60 SS screwgates. SWL 10 KG	550 x 300 diameter
SRS504	Suitable for side mounted sirens. Round profile. Plus individual ID plate with 6 x 60 SS screwgates. SWL 8 KG	260 x 210 diameter
SRS505	Suitable for rear mounted audio units & strobes. Round profile. Plus individual ID plate with 6 x 60 SS screwgates. SWL 5 KG	240 x 210 diameter
SRS507	Suitable for speakers and horns. Plus individual ID plate with 6 x 60 SS screwgates. SWL 6 KG	400 x 280 x 210
SRS508	Suitable for indoor speakers. Plus individual ID plate with 6 x 60 SS screwgates. SWL 18.5 KG	295 x 200 x 200
SRS509	Suitable for alarm lights. Plus individual ID plate with 6 x 60 SS screwgates.	820 x 250 x 220

# CAMERA

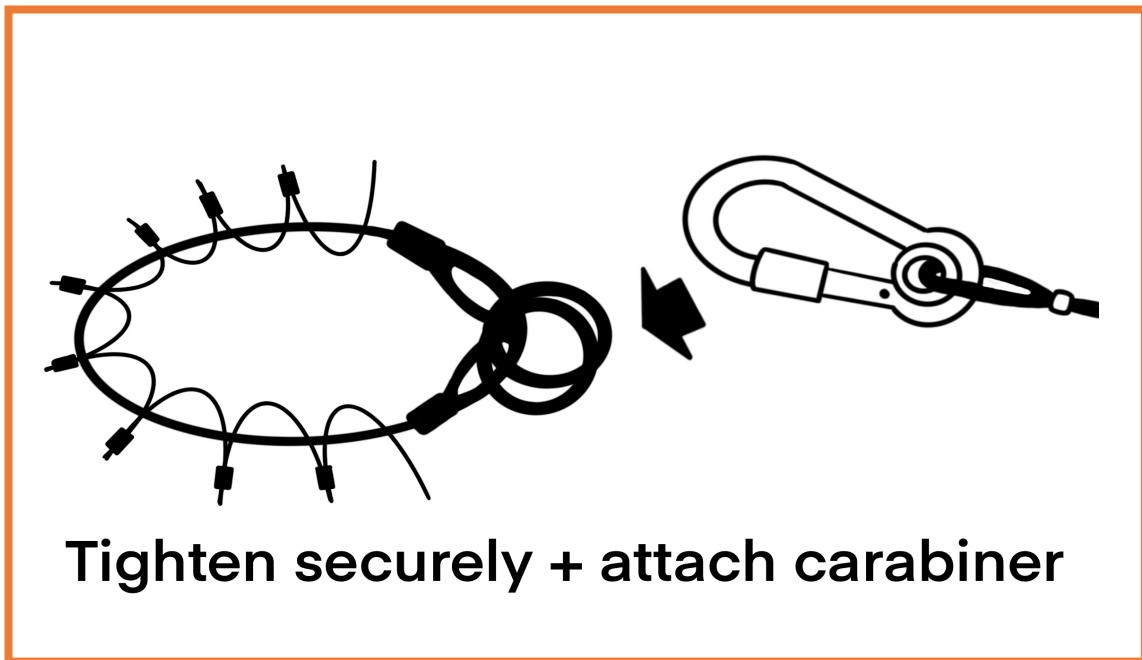


Stainless Steel 316 safety retaining nets suitable for side mounted cameras. Must be tightened securely.

PART NUMBER	DESCRIPTION	DIMENSIONS (MM)
SRS401	Suitable for side mounted camera. Plus individual ID plate with 6 x 60 SS screwgates. SWL 19 KG	325 x 310 x 220



# TOOL EQUIPMENT POUCH



Stainless Steel 316 safety retaining nets suitable for carrying workplace tools.

PART NUMBER	DESCRIPTION	DIMENSIONS (MM)
SRS201	Suitable net for carrying drill (holding battery pack). Plus red painted loops.	18V Battery up to 5AMP AVH
SRS202	Suitable net for carrying gas alert device.	
SRS203	Suitable net for carrying aerosols.	330ml





# SINGLE RETENTION WIRES



Stainless Steel 316 secondary retention wires suitable for various applications.

PART NUMBER	DESCRIPTION	LENGTH (M)
SRS101	Secondary retention wire 4mm Dia (7X7). Stainless Steel Wire Rope, 6mm X 60mm screwgate carabiner at one end and soft loop on the other end. Individual ID plate. SWL 90KG.	1
SRS102	Secondary retention wire 4mm Dia (7X7). Stainless Steel Wire Rope, 6mm X 60mm screwgate carabiner at one end and soft loop on the other end. Individual ID plate. SWL 90KG.	1.2
SRS103	Secondary retention wire 4mm Dia (7X7). Stainless Steel Wire Rope, 6mm X 60mm screwgate carabiner at one end and soft loop on the other end. Individual ID plate. SWL 90KG.	1.5
SRS104	Secondary retention wire 4mm Dia (7X7). Stainless Steel Wire Rope, 6mm X 60mm screwgate carabiner at one end and soft loop on the other end. Individual ID plate. SWL 90KG.	2

# ACCESSORIES

Stainless Steel 316 screwgate carabiners.  
Must be tightened securely.

PART NUMBER	DESCRIPTION
SRS301	Double action screwgate carabiner with no eylet. SWL 80 KG
SRS303	Double action screwgate carabiner with no eylet. SWL 80 KG

## ID PLATES



Every fixture net has a unique ID serial number which can be used for tracability.



## CLIENT INFORMATION

Drop Prevention Net		Product Specification
<b>Test Certificate</b> This Drop safe net product has been tested and is fully compliant with the stated SWL.		Model #: SRS502 SWL: 4 Kg (8.8 lbs) Mesh Safety Cover 00720
<b>Test Description</b>	<b>Test Report No.</b>	<b>Fixture Dimensions</b> A = 220mm (8.7") B = 150mm (6")
SUS316 Chemical Composition Analysis	SGS TJIN2006006859ML	
SUS316 Mesh wire rope	SGS TJIN2006006865ML	 Net fits this way
SUS316 Mesh Wire Rope With Joining Clip	SGS TJIN2006006863ML	
SUS316 Carabiner and Securing Cable	SGS TJIN2006006868ML	Choker cable should pass through all the loops on the net, the carabiner should pass through the soft loop and then the net secured back to the structure, not the manufacturers bracket.
The load-bearing test exceeds 300kg	SGS SZIN2007009028ML	
Last manufacturing process audit: 22-December-20		
Batch No: SH20-12-22		
QC: PASS		
Purchase Date:		
Product should be replaced 36 months after purchase		

- Products are inspected and certified by SGS for SWL testing
- Nets are made with marine-grade 316 Stainless Steel
- Nets have a three-year warranty period (terms and conditions apply)
- Provided the equipment is correctly fitted, a visual inspection should be conducted every six months
- Discounts for bulk purchasing available
- Payment terms depends on ordered volumes
- Sample product is available on request
- No two part shackles used in securing our nets

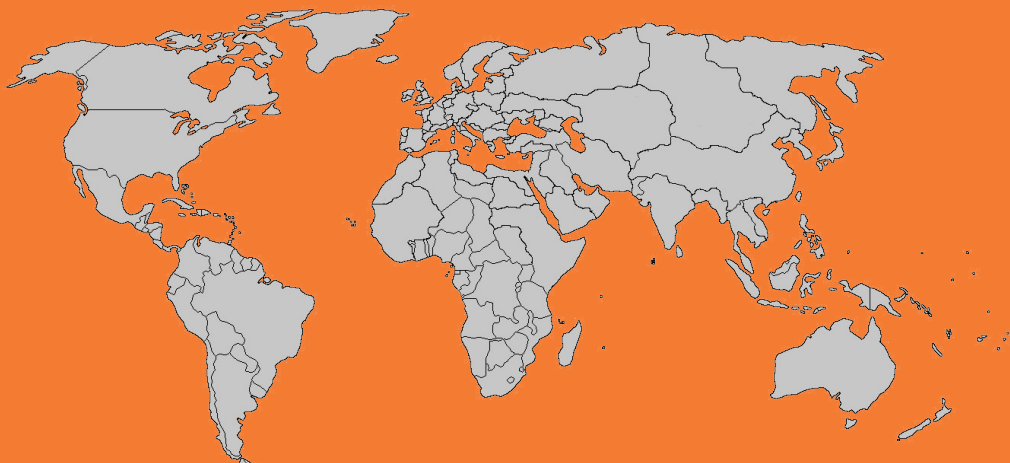
Contact us if you have any further questions  
via email - [sales@securesrs.co.uk](mailto:sales@securesrs.co.uk)

PART NUMBER	CATEGORY	SAFE WORKING LOAD (KG)	DIMENSIONS (MM)
SRS101	SECONDARY RETENTION WIRE	90	1000 x 4
SRS102	SECONDARY RETENTION WIRE	90	1200 x 4
SRS103	SECONDARY RETENTION WIRE	80	1500 x 4
SRS104	SECONDARY RETENTION WIRE	70	2000 x 4
SRS201	TOOL NETS	50KG	18V Battery
SRS202	TOOL NETS	20KG	
SRS203	TOOL NETS	10KG	330ml
SRS301	SCREWGATE CARABINER	80KG	
SRS302	SCREWGATE CARABINER	80KG	
SRS401	CAMERA NETS	19	325 x 310 x 220
SRS501	SPEAKER / HORN / STROBES	6	215 x 140 x 140
SRS502	SPEAKER / HORN / STROBES	4	220 x 140 diameter
SRS503	SPEAKER / HORN / STROBES	10	550 x 300 diameter
SRS504	SPEAKER / HORN / STROBES	8	260 x 210 diameter
SRS505	SPEAKER / HORN / STROBES	5	240 x 210 diameter
SRS507	SPEAKER / HORN / STROBES	6	400 x 280 x 210
SRS508	SPEAKER / HORN / STROBES	18.5	295 x 200 x 200
SRS509	SPEAKER / HORN / STROBES		820 x 250 x 220
SRS601	FLOURSESCENT / LED STIPLIGHTS	15	485 x 360
SRS602	FLOURSESCENT / LED STIPLIGHTS	20	1385 x 165
SRS603	FLOURSESCENT / LED STIPLIGHTS	20	740 x 120
SRS604	FLOURSESCENT / LED STIPLIGHTS	30	1350 x 300
SRS605	FLOURSESCENT / LED STIPLIGHTS	32	1500 x 225
SRS606	FLOURSESCENT / LED STIPLIGHTS	15	900 x 200
SRS607	FLOURSESCENT / LED STIPLIGHTS	27	300 x 700
SRS701	FLOODLIGHTS	25	610 x 330 x 330
SRS702	FLOODLIGHTS	30	460 x 460 x 265
SRS703	FLOODLIGHTS	20	560 x 215 diameter
SRS704	FLOODLIGHTS	20	410 x 410 x 200
SRS705	FLOODLIGHTS	25	535 x 430 x 175
SRS706	FLOODLIGHTS	35	600 x 600 x 340
SRS707	FLOODLIGHTS	20	410 x 90 diameter
SRS708	FLOODLIGHTS	35	400 x 650 x 250
SRS709	FLOODLIGHTS	35	350 x 300 x 250
SRS710	FLOODLIGHTS	35	400 x 400 x 400
SRS711	FLOODLIGHTS	20	300 x 300 x 300
SRS712	FLOODLIGHTS	48	700 x 700 x 310
SRS714	FLOODLIGHTS	30	570 x 440 x 400
SRS715	FLOODLIGHTS	35	450 x 450 x 450
SRS716	FLOODLIGHTS	35	500 x 500 x 500
SRS717	FLOODLIGHTS	35	350 x 300 x 250
SRS718	FLOODLIGHTS	35	

# CONTACT US

Please email your requirements and we will get back to you with a quotation.

[sales@seuresrs.co.uk](mailto:sales@seuresrs.co.uk)



**GLOBAL  
SHIPPING  
GLOBAL  
DISTRIBUTOR  
NETWORK**